



## IMPACT

### Features and Benefits

- Available in two configurations, either clear or opaque lids with Integra's standard EZ Hinge and Integra's patented Integra latch
- Standard Color – light gray with a high gloss finish.
- Best material – bases, opaque covers and clear covers are all made of high-impact, UV resistant polycarbonate
- Easy ordering – One part number equals one completely assembled enclosure
- Super easy use – mounting flanges integral, so no extra hardware needed
- Flexible interior Mounting – bosses on rear wall provide multiple mounting options for din rail, back panels, or other components
- Secure – Choose your level of protection: pad lockable or tamper tag capable
- Frequency Friendly – Available with absolutely no metals of any kind on the enclosure which is extremely favorable for sending and receiving signals
- UL-50 / c-UL Listed (file # E207562)

Our Impact Line enclosures are the most versatile, feature packed, aesthetically pleasing, Nema UL rated, non-metallic enclosures available. Features like extremely durable, UV resistant, wide temperature range, easy to machine, lighter than other non-metallic or metal materials, the "Made in USA" Impact Line enclosures provide great value to any application.

Mechanical and Thermal	Test Spec.	Unit	Impact Line
Instrumented Dart Impact @ 73° F		in/lb.	565
Falling Ball Impact @ 73° F	UL-746	in/lb.	900
Deflection Temperature @ 264 psi	ASTM D648	Deg. F	270
Modulus of Elasticity	ASTM D790	ksi	340
Temperature Range		Deg. F	-40 to 265
Flammable / UV Ratings	Test Spec.	Unit	Impact Line
Flame Rating - UL	UL 94	-	5VA
Outdoor UV Exposure	UL	-	F1



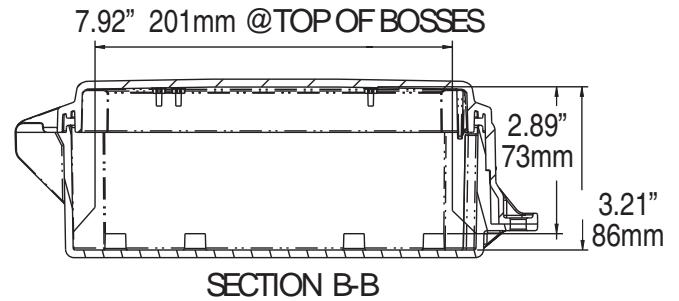
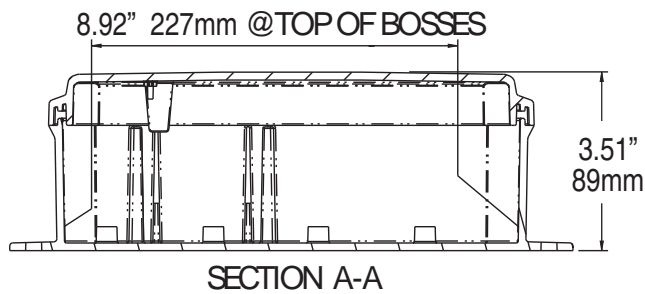
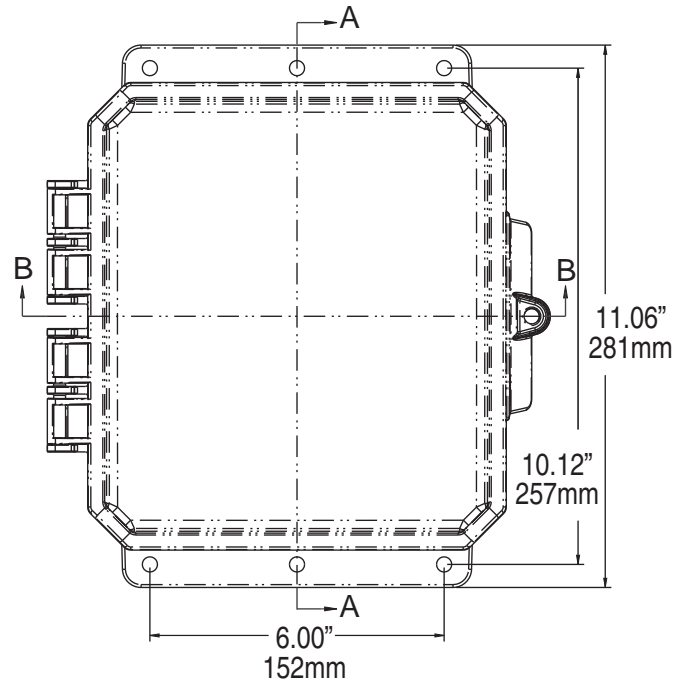
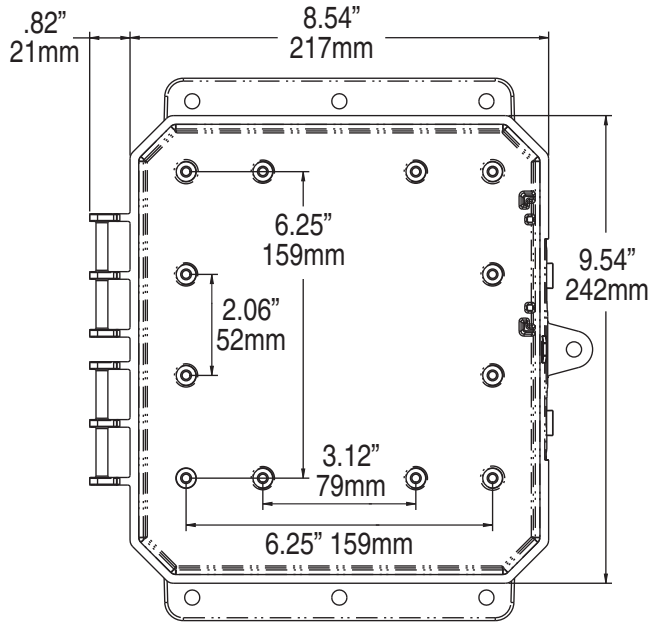
Atex pending, contact factory for details

P9082	4X IP66	6P IP68	Clear Cover	Opaque Cover	Integrated Mounting Flange	Standard Hinge	Low Profile Hinge	Integrated Locking Latch	Stainless Steel Locking Latch	PCB Mounting System	Face Plate Mtg System*
P9082	✓	✓		✓	✓	✓		✓		✓	✓
P9082C	✓	✓	✓		✓	✓		✓		✓	✓

\* Sold separately

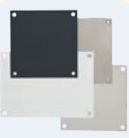


# 9X8X2 IMPACT LINE



Register online to download this drawing off the Integra website at [www.integraenclosures.com](http://www.integraenclosures.com) | Your company's logo or other information on the lid. Consult factory for details.

## Accessories for 9x8x2 Impact (For complete accessories, see page 52-54)



**Back Panels**  
**ABP98-IMP** - Aluminum panel  
**SBP98-IMP** - Steel panel  
**PVCBP98-IMP** - PVC panel



**Din Rail**  
**DIN 8** - 2 rails, 4 screws



**Mounting Screws**  
**SP-10** - 10 Pieces self-tapping screws for bosses



**Air Vents**  
**Vent 1** - Aluminum louvered



**Pole Mounting Kit**  
**PMKG-28-IMP** - 2" pole  
**PMKG-38-IMP** - 3" pole  
**PMKG-48-IMP** - 4" pole  
**PMKG-128-IMP** - 12" pole



**Cord Grips**  
 IP68/NEMA 4X/6P rated  
 See page 54 for more details and part numbers.